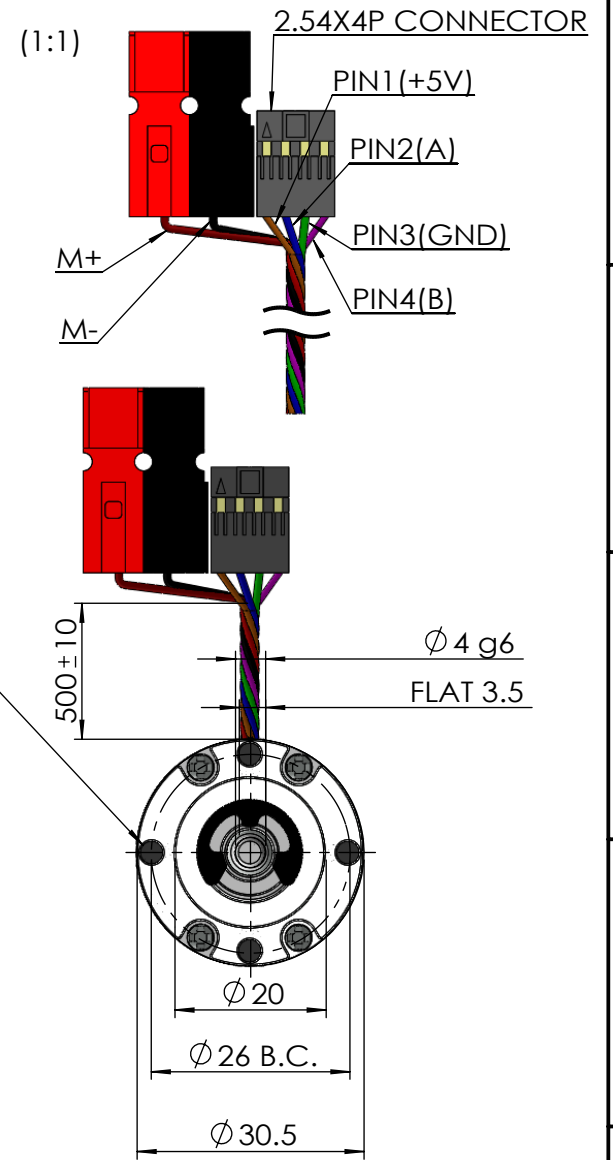


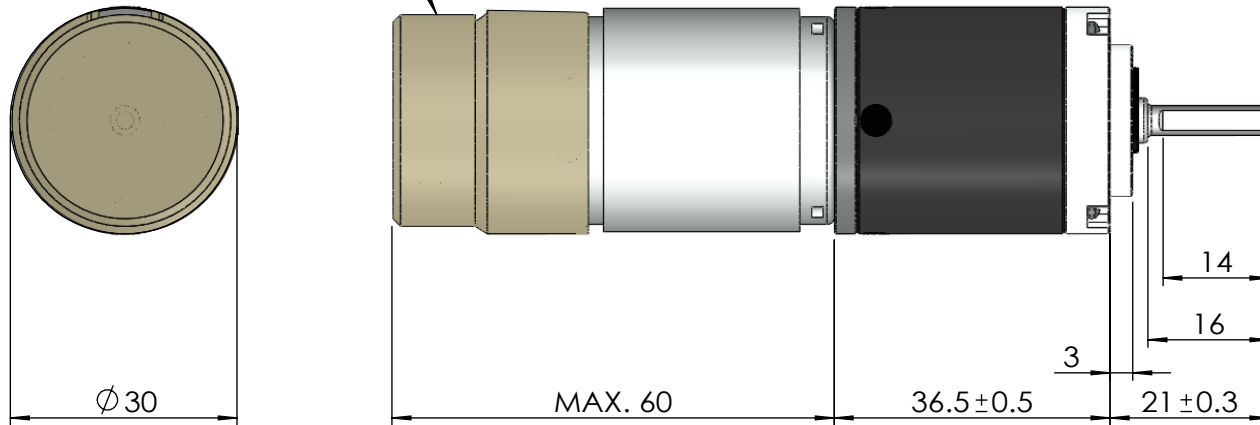
Incremental Encoder EM3012-7B	
Resolution	7
Power Source	5V ±10%
Current Consumption	MAX. 25mA
Output Signal	A.B
Phase Difference	90° ±45°
Response Frequency	15kHz
Operation Temperature	-10°C~80°C
Sensor Mode	Magnetic
Output Form	Square Wave

Gearhead GBP30-K	
Step	3
Ratio	52.8
Eff%	65%
Cont.Torque	30 kg-cm
Peak Torque	60 kg-cm



COLOR (Pantone 8003U)

M3X0.5PX4 HOLES 90° EQ.



3					
2					
1					
Rev.		Cause	By	Date	

Notes

MODERN ROBOTICS		14-0019		mm	Scale 1:1	Revision 2
General Tolerance XX±0.2 X.X±0.1 0.X±0.05 Position ±0.02 Angle ±1°	Part No.	Material	Treat	Hardness	Work No.	Amount
Title 12v 4mm Motor w/ Powerpoles		Drawing No.	Mold No.	Drawn By	Checked By	Approved By

1 2 3 4 5 6

A
B
C
D
E